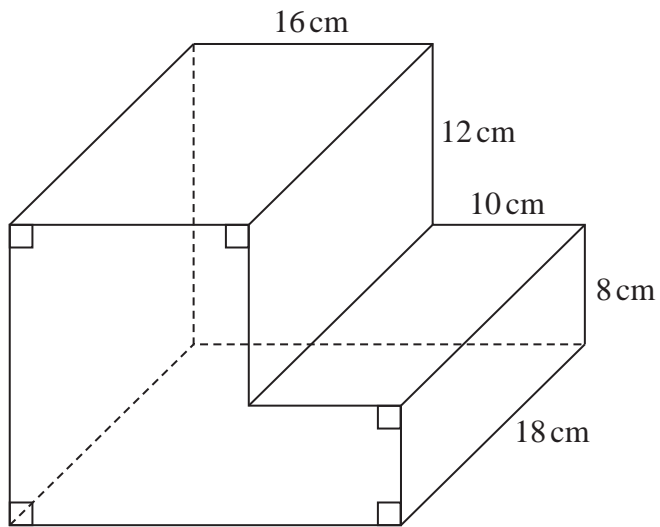


17 The diagram shows a solid prism.



Work out the volume of the prism.

..... cm³

(Total for Question 17 is 4 marks)